

**DESCRIPTION**

832-168-A1002 is an adaptor board for VXXX-ISO voltage transducers for alternative screw terminal terminations and using +/-12Vdc power supply.

VXXX-ISO voltage transducers include V1000-ISO, V500-ISO, and V50-ISO which are sold separately.



Fig 1. 832-168-A1002



Fig 2. 832-168-A1002 with V1000-ISO (sold separately)

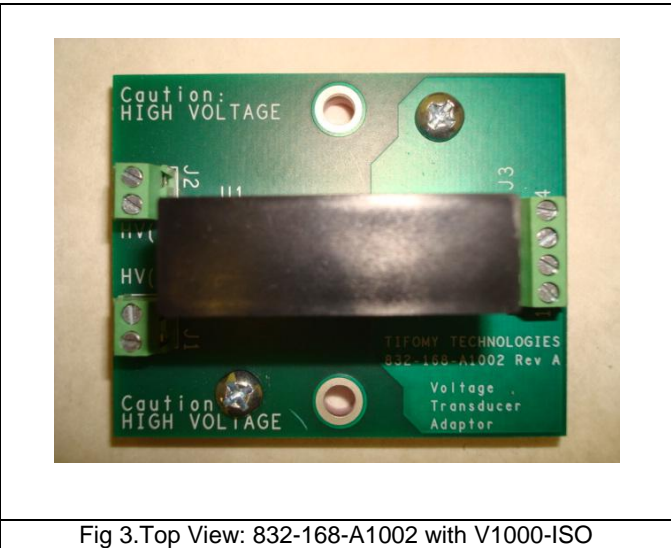
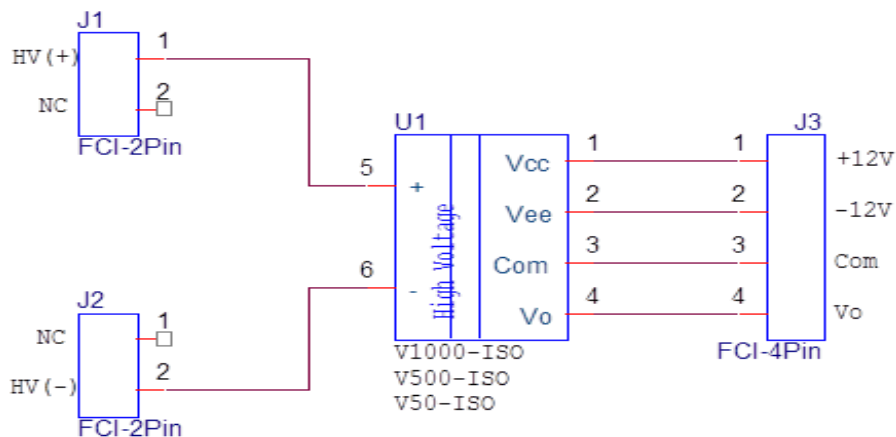


Fig 3. Top View: 832-168-A1002 with V1000-ISO

**FUNCTIONAL BLOCK DIAGRAM**



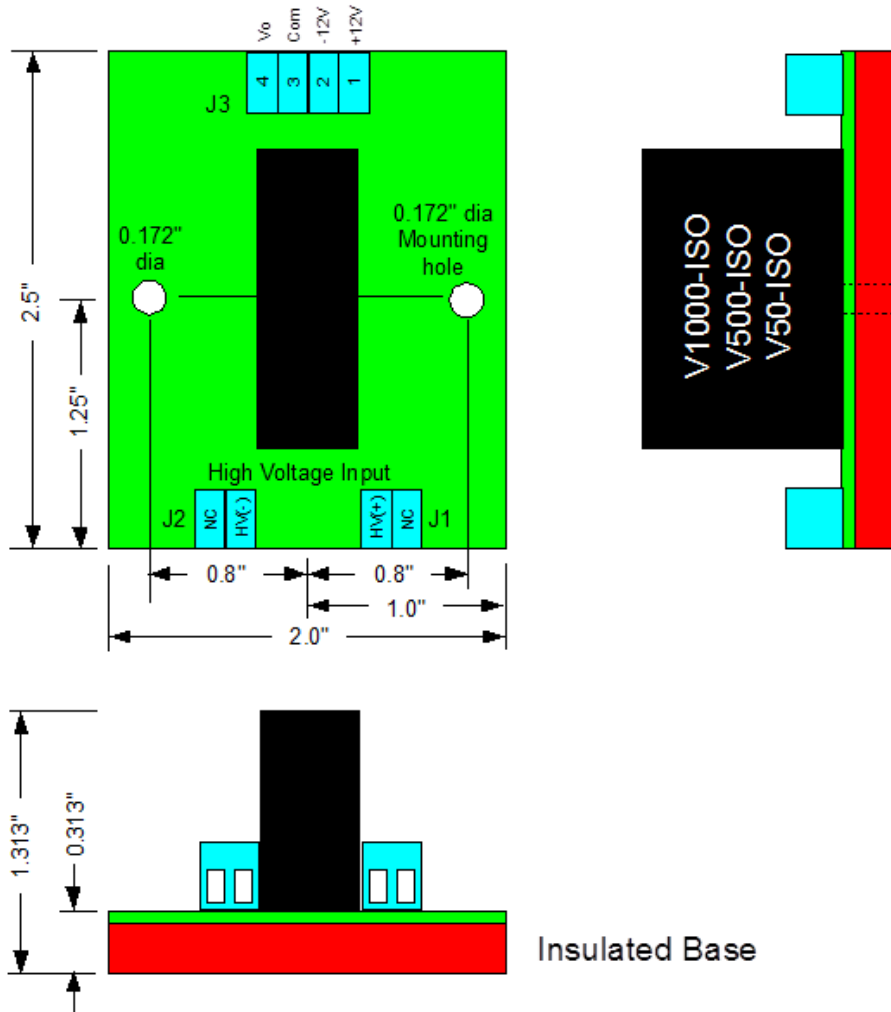
**ABSOLUTE MAXIMUM RATINGS**

Parameter		Symbol	Minimum	Maximum	Units
Storage Temperature		T <sub>s</sub>	-45	+ 95	°C
Ambient Operating Temperature		T <sub>A</sub>	-40	+ 85	°C
Supply Voltage (Steady State)		+12V, [J3-1]-[J3-3]		13.5	V
		-12V, [J3-2]-[J3-3]		-13.5	V
Steady State Input Voltage	V1000-ISO	HV(+) – HV(-)	-1050	+ 1050	V
	V500-ISO	HV(+) – HV(-)	-525	+ 525	V
	V50-ISO	HV(+) – HV(-)	-55	+ 55	V
Transient Input Voltage (2 S)	V1000-ISO	HV(+) – HV(-)	-1200	+ 1200	V
	V500-ISO	HV(+) – HV(-)	-600	+ 600	V
	V50-ISO	HV(+) – HV(-)	-65	+ 65	V
Output Voltage (V <sub>o</sub> )		V <sub>o</sub> , [J3-4]- [J3-3]	- 6	+ 6	V
Screw Terminals	Single Wire		#24	#16	AWG
	Max Torque +/-10%			0.19	N-m
	Current			5	A

**RECOMMENDED OPERATING CONDITIONS**

Parameter		Symbol	Minimum	Maximum	Units
Ambient Operating Temperature		T <sub>A</sub>	- 40	+ 85	°C
Supply Voltage		+12V, [J3-1]-[J3-3]	11	13	V
		-12V, [J3-2]-[J3-3]	-11	-13	V
Input Voltage Range	V1000-ISO	HV(+) – HV(-)	-1000	+ 1000	V
	V500-ISO	HV(+) – HV(-)	-500	+ 500	V
	V50-ISO	HV(+) – HV(-)	-50	+ 50	V


**PACKAGE OUTLINE** (SHOWN WITH VXXX-ISO WHICH IS SOLD SEPARATELY):



**PACKAGE WEIGHT:**

1.87 oz (53 g), VXXX-ISO excluded

**WARNING!**

	<p>The exposed pins of the <b>832-168-A1002</b> can carry hazardous voltage. The device must be used in a protective housing and the conducting parts must be inaccessible after installation. Ignoring this warning can lead to injury and/or serious damage.</p>
<p>Danger! Electrical Shock Risk</p>	

---

**IMPORTANT NOTICE**

Tifomy Technologies Incorporated (Tifomy) disclaims any and all liability for any errors, inaccuracies or incompleteness contained in any datasheet or in any other disclosure relating to any product. Tifomy reserves the right to make corrections, modifications, enhancements, improvements, and other changes to its products at any time and to discontinue any product without notice.

All products are sold with standard warranty subject to Tifomy's terms and conditions of sale supplied at the time of order acknowledgment.

Unless expressly authorized in writing by the President of Tifomy Technologies, Inc, Products are not designed, intended or authorized for use as critical components in life support or safety devices or systems, or for any other application in which the failure of the Products could create a situation where personal injury or death may occur.