

DESCRIPTION

Adaptor-P12V is an adaptor board for VXXX-ISO voltage transducers for alternative screw terminal terminations and using single nominal 12Vdc power supply. The nominal 12Vdc range is 9V to 18Vdc. The adaptor board generates internal +/-12Vdc to power up VXXX-ISO voltage transducer. The +/-12Vdc are monitored by an integrated voltage monitor circuitry and the health status is provided for user usage in open collector configuration. The adaptor board has built-in filter and decoupling circuitry to withstand 20V 50ms surge and +/-50V spikes (100KHz-500KHz).

VXXX-ISO voltage transducers include V1000-ISO, V500-ISO, and V50-ISO which are sold separately.

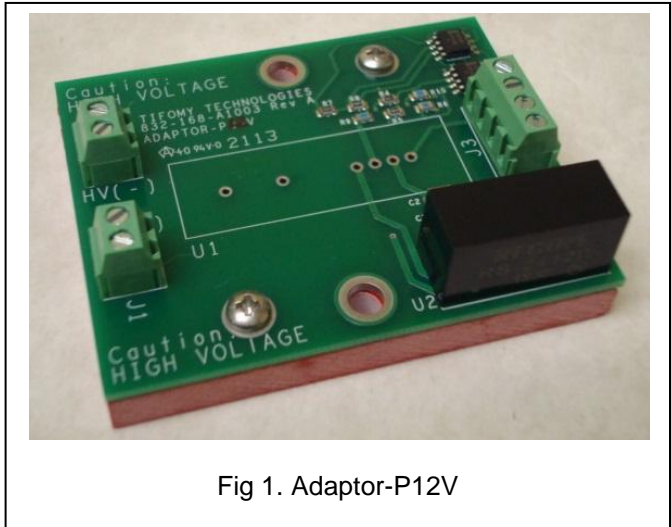


Fig 1. Adaptor-P12V



Fig 2. Adaptor-P12V with V1000-ISO (sold separately)

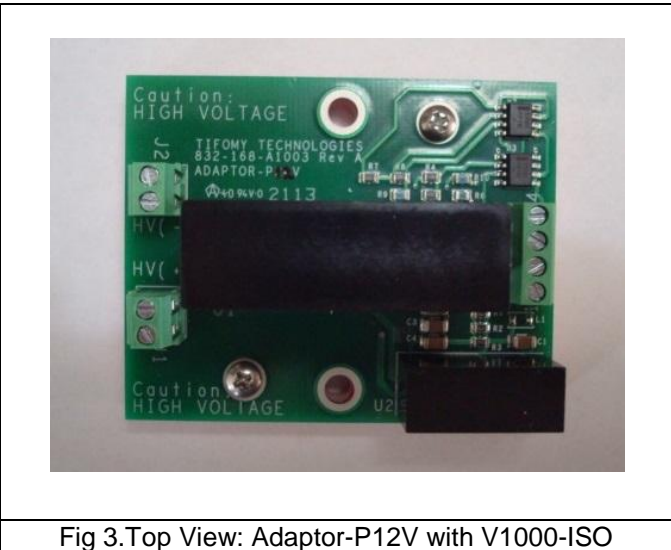
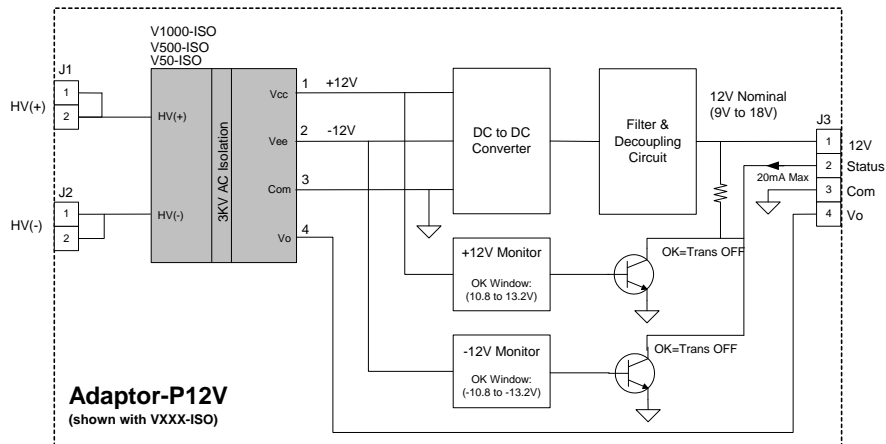
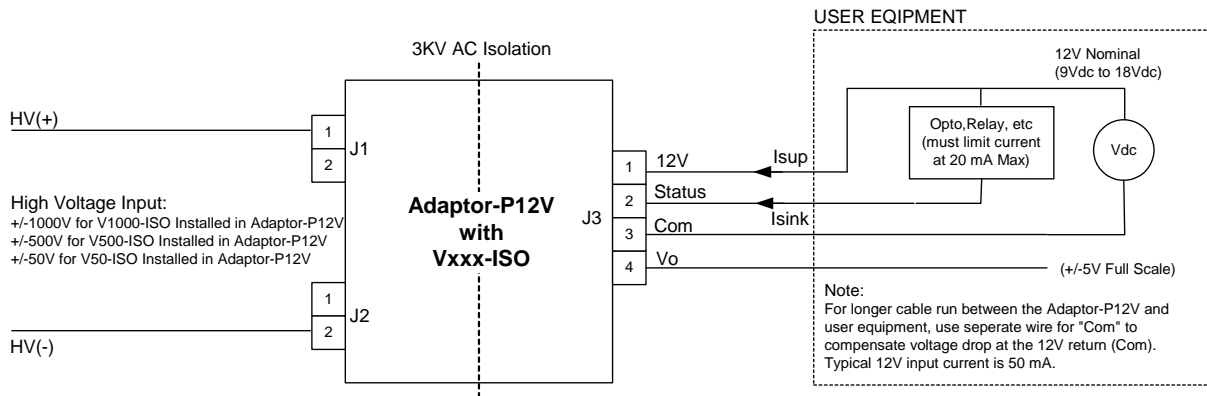


Fig 3. Top View: Adaptor-P12V with V1000-ISO

FUNCTIONAL BLOCK DIAGRAM



TYPICAL APPLICATION WIRING DIAGRAM



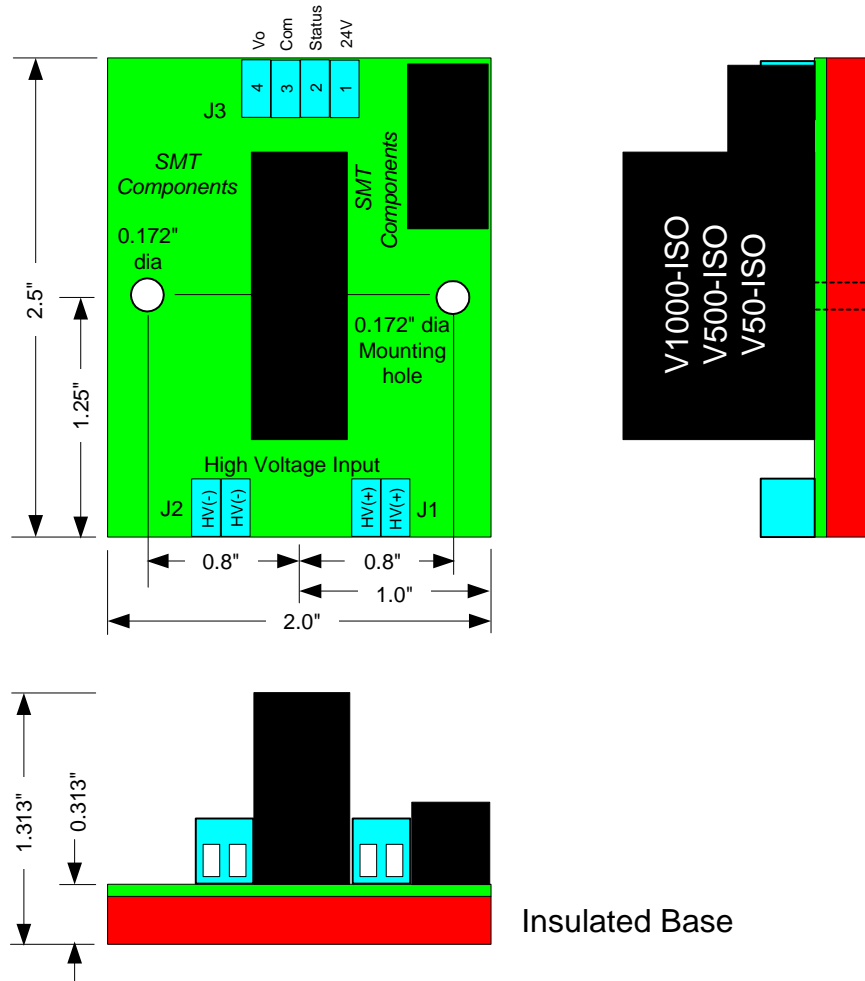
ABSOLUTE MAXIMUM RATINGS

Parameter	Symbol	Minimum	Maximum	Units	
Storage Temperature	T _s	-45	+ 95	°C	
Ambient Operating Temperature	T _A	-40	+ 85	°C	
Supply Voltage (Steady State)	[J3-1]-[J3-3]	0	18	V	
	I _{sup}		75	mA	
Supply Voltage (50 ms Surge)	[J3-1]-[J3-3]	0	20	V	
Supply Voltage Spikes (100KHz-500KHz) 100ms Burst	[J3-1]-[J3-3]	-50	50	V	
Steady State Input Voltage	V1000-ISO	HV(+) – HV(-)	-1050	+ 1050	V
	V500-ISO	HV(+) – HV(-)	-525	+ 525	V
	V50-ISO	HV(+) – HV(-)	-55	+ 55	V
Transient Input Voltage (2 S)	V1000-ISO	HV(+) – HV(-)	-1200	+ 1200	V
	V500-ISO	HV(+) – HV(-)	-600	+ 600	V
	V50-ISO	HV(+) – HV(-)	-65	+ 65	V
Output Voltage (V _o)	[J3-4]- [J3-3]	- 6	+ 6	V	
Status Output Pin	Status [J3-2]	0	20	V	
		0	20	mA	
Screw Terminals	Single Wire	#24	#16	AWG	
	Max Torque +/-10%		0.19	N-m	
	Current		5	A	

RECOMMENDED OPERATING CONDITIONS

Parameter	Symbol	Minimum	Maximum	Units	
Ambient Operating Temperature	T _A	- 40	+ 85	°C	
Supply Voltage	[J3-1]-[J3-3]	9	18	V	
Input Voltage Range	V1000-ISO	HV(+) – HV(-)	-1000	+ 1000	V
	V500-ISO	HV(+) – HV(-)	-500	+ 500	V
	V50-ISO	HV(+) – HV(-)	-50	+ 50	V


PACKAGE OUTLINE (SHOWN WITH VXXX-ISO WHICH IS SOLD SEPARATELY):



PACKAGE WEIGHT:

2.01 oz (57 g), VXXX-ISO excluded.

WARNING!

 <p>Danger! Electrical Shock Risk</p>	<p>The exposed pins of the Adaptor-P12V can carry hazardous voltage. The device must be used in a protective housing and the conducting parts must be inaccessible after installation. Ignoring this warning can lead to injury and/or serious damage.</p>
--	--

IMPORTANT NOTICE

Tifomy Technologies Incorporated (Tifomy) disclaims any and all liability for any errors, inaccuracies or incompleteness contained in any datasheet or in any other disclosure relating to any product. Tifomy reserves the right to make corrections, modifications, enhancements, improvements, and other changes to its products at any time and to discontinue any product without notice.

All products are sold with standard warranty subject to Tifomy's terms and conditions of sale supplied at the time of order acknowledgment.

Unless expressly authorized in writing by the President of Tifomy Technologies, Inc, Products are not designed, intended or authorized for use as critical components in life support or safety devices or systems, or for any other application in which the failure of the Products could create a situation where personal injury or death may occur.