

**DESCRIPTION**

ADB-P24V is an adapter board for ISOXXXX-ISO voltage transducers for alternative screw terminal terminations and using single nominal 24Vdc power supply. The nominal 24Vdc range is 18V to 36Vdc. The adapter board generates internal +/-12Vdc to power up ISOXXXX-ISO voltage transducer.

ISOXXXX-ISO voltage transducers include ISO1500-ISO, ISO1000-ISO, ISO500-ISO and ISO100-ISO which are sold separately.

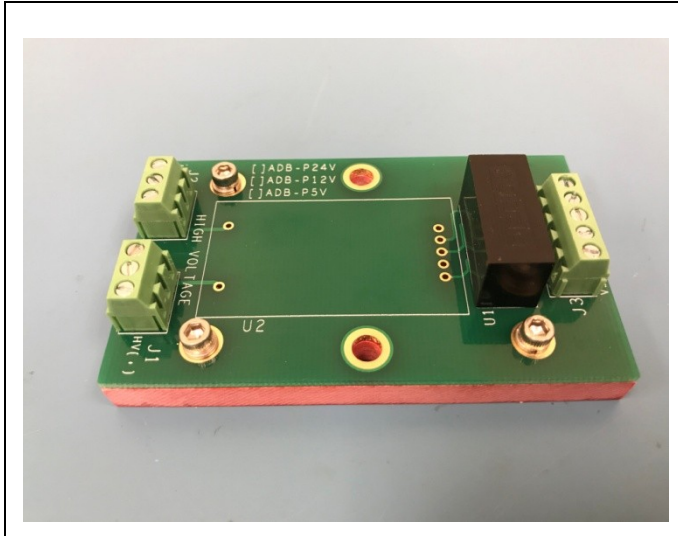


Figure 1 ADB-P24V Adapter Board

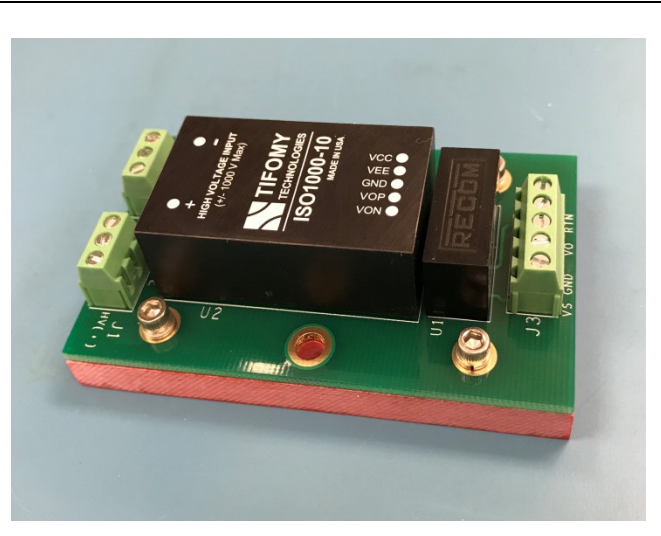
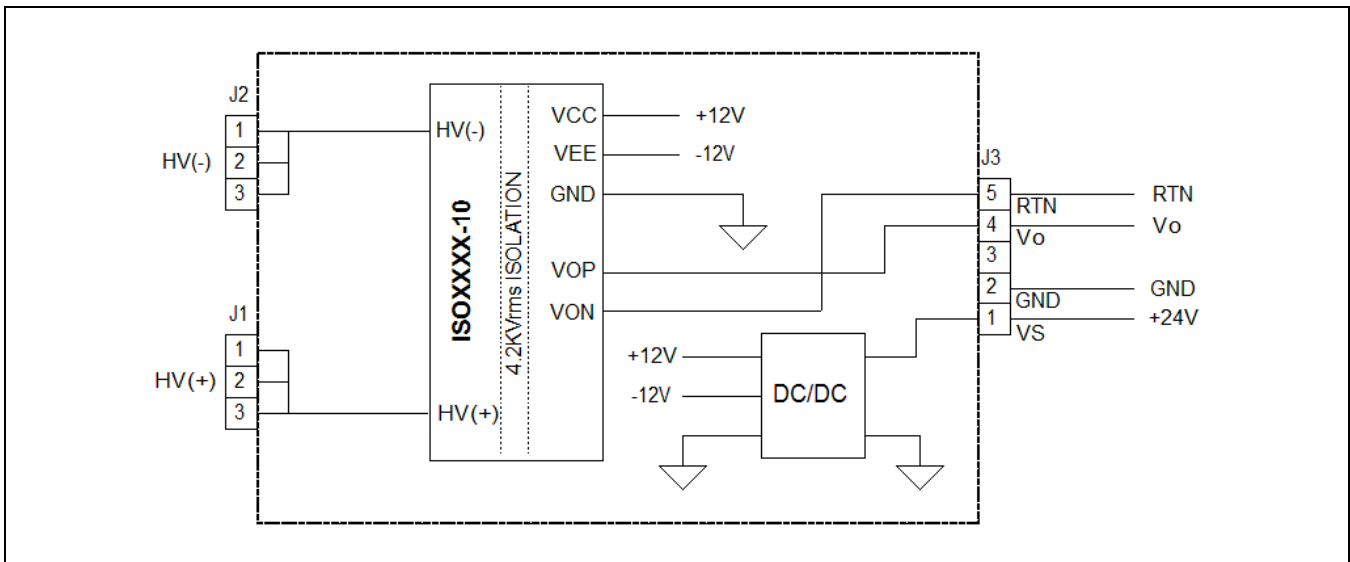
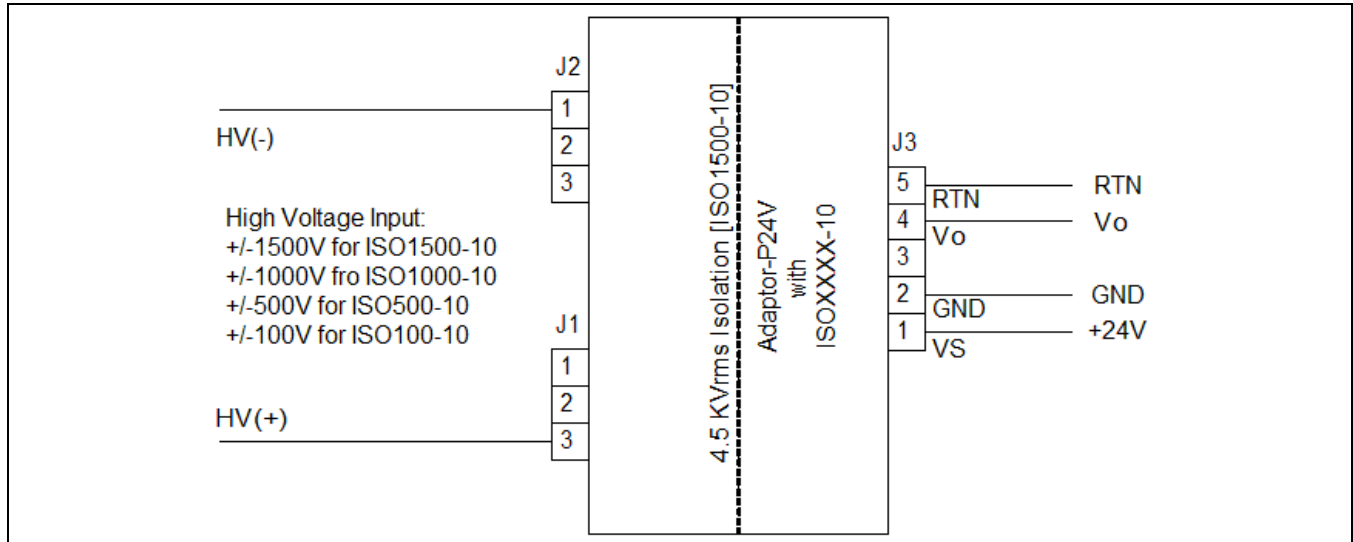


Figure 2 ADB-P24V Adapter Board Mounted with ISO1000-10 (sold separately)

**FUNCTIONAL BLOCK DIAGRAM**



**TYPICAL APPLICATION WIRING DIAGRAM**

**ABSOLUTE MAXIMUM RATINGS**

Parameter		Symbol	Minimum	Maximum	Units
Storage Temperature		TS	-45	+ 95	°C
Ambient Operating Temperature		TA	-40	+ 85	°C
Supply Voltage (Continuous)		[J3-VS]-[J3-GND]	18	36	V
Supply Current (Continuous)		I <sub>sup</sub>	25	45	mA
Steady State Input Voltage	ISO1500-10	[J1-1,2,3]-[J2-1,2,3]	-1500	+ 1500	V
	ISO1000-10	[J1-1,2,3]-[J2-1,2,3]	-1000	+ 1000	V
	ISO 500-10	[J1-1,2,3]-[J2-1,2,3]	-500	+ 500	V
	ISO100-10	[J1-1,2,3]-[J2-1,2,3]	-100	+ 100	V
Transient Input Voltage (30 Seconds)					
	ISO1500-10	[J1-1,2,3]-[J2-1,2,3]	-1650	+1650	V
	ISO1000-10	[J1-1,2,3]-[J2-1,2,3]	-1200	+1200	V
	ISO 500-10	[J1-1,2,3]-[J2-1,2,3]	-600	+600	V
	ISO100-10	[J1-1,2,3]-[J2-1,2,3]	-120	+120	V
Output Voltage		[J3-Vo]-[J3-RTN]	-16	16	V
Screw Terminals	Single Wire		#24	#16	AWG
	Max Torque +/-10%			0.19	N-m
	Current			5	A

**RECOMMENDED OPERATING CONDITIONS**

Parameter		Symbol	Minimum	Maximum	Units
Ambient Operating Temperature		TA	-40	+ 85	°C
Supply Voltages		[J3-VS]-[J3-GND]	18	36	V
Input Voltage Range	ISO1500-10	[J1-1,2,3]-[J2-1,2,3]	-1500	+ 1500	V
	ISO1000-10	[J1-1,2,3]-[J2-1,2,3]	-1000	+ 1000	V
	ISO 500-10	[J1-1,2,3]-[J2-1,2,3]	-500	+ 500	V
	ISO100-10	[J1-1,2,3]-[J2-1,2,3]	-100	+ 100	V

**PACKAGE OUTLINE**

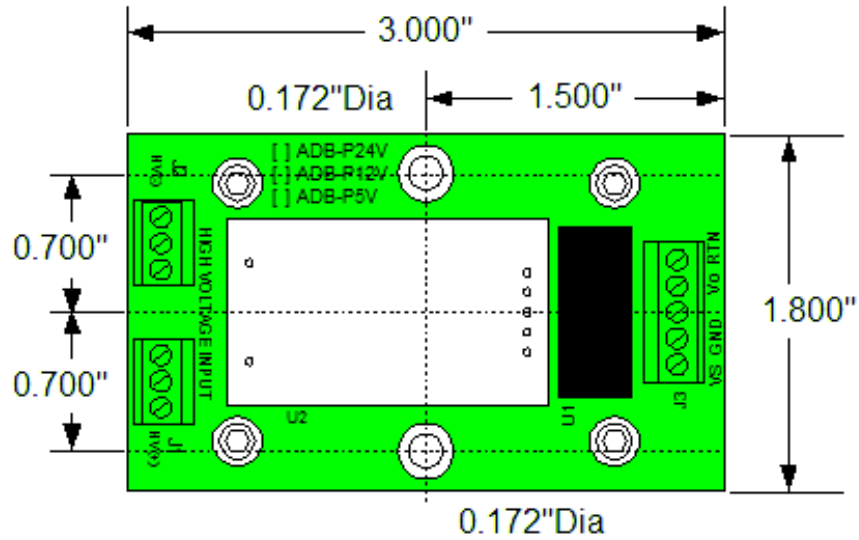


Figure 3 Top View

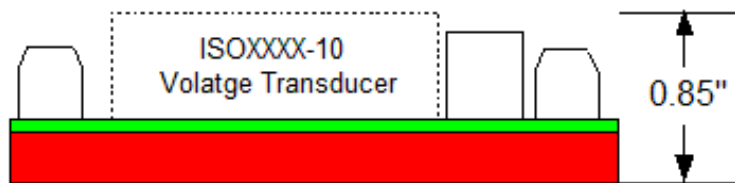


Figure 4 Side View

**PACKAGE WEIGHT**

2.93 OZ (83 g)

**WARNING!**



**Danger!**  
Electrical Shock Risk

The exposed pins of the voltage transducer can carry hazardous voltage. The device must be used in a protective housing and the conducting parts must be inaccessible after installation. Ignoring this warning can lead to injury and/or serious damage.

### **IMPORTANT NOTICE**

Tifomy Technologies Incorporated (Tifomy) disclaims any and all liability for any errors, inaccuracies or incompleteness contained in any datasheet or in any other disclosure relating to any product. Tifomy reserves the right to make corrections, modifications, enhancements, improvements, and other changes to its products at any time and to discontinue any product without notice.

All products are sold with standard warranty subject to Tifomy's terms and conditions of sale supplied at the time of order acknowledgment.

Unless expressly authorized in writing by the President of Tifomy Technologies, Inc, Products are not designed, intended or authorized for use as critical components in life support or safety devices or systems, or for any other application in which the failure of the Products could create a situation where personal injury or death may occur.